

SHIFT SINGLE UP AND DOWN

Application

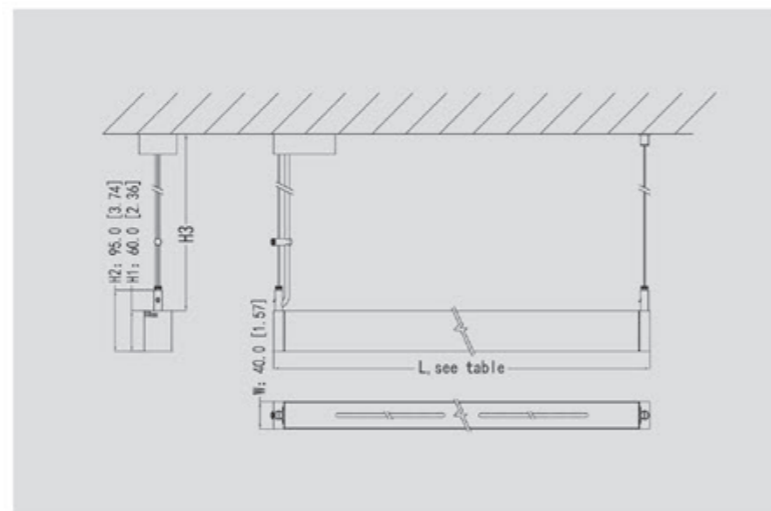
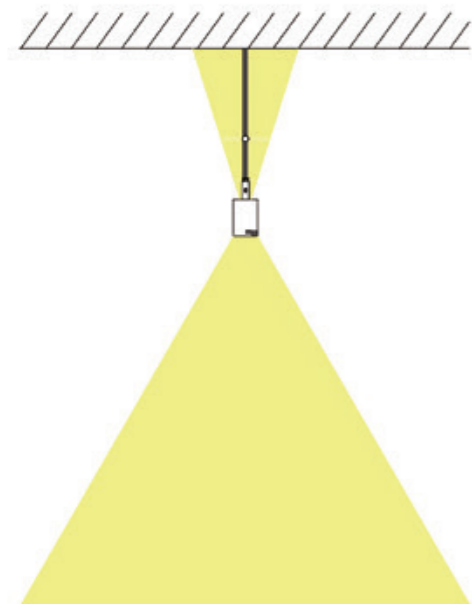
Shift is a beautiful, slim LED luminaire that comes in many forms. Offered in a pendant, ceiling or wall luminaire. Housed in Aluminum with a matte anodized finish featuring the best in LED optic design. Shift is extremely versatile and its timeless design lends itself to a variety of applications: residential, commercial and healthcare.

Product Description

- Wire Suspended LED Pendant Luminaire
- Elegant and slim shape
- Aluminum Housing
- Replacable LED module
- Optical prism high transmittance PMMA diffusor
- 5 year warranty

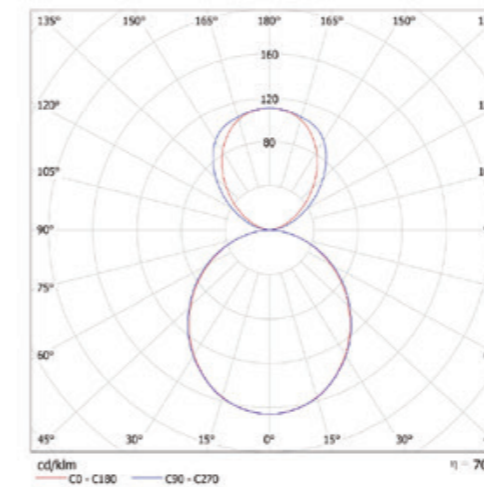


Dimensions

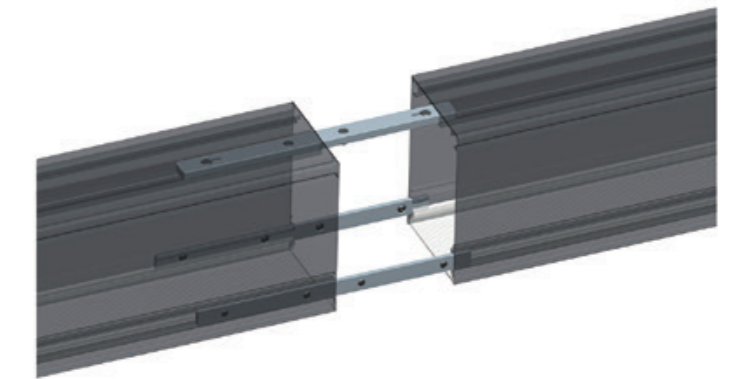


Dimension in millimetres [inches in brackets]
Tolerance: ±1mm [0.04"]

Distribution Flux Curve



Linkable Option



Technical Data

Model	Shift Single Up and Down	L70	60,000 hours
Light Source	SMD LED	IP Rating	IP20
Rated Life	50,000 Hours	Beam Angle	120°
Input Voltage / Power	120V - 240V / 25W or 30W	Dimming	1-10V, Switch and DALI available
Power Factor	0.90	Operating Temperature	-4°F to +122°F (-20°C to +50°C)
CRI / SDCM	90+ / 3-	Dimensions	L x 40mm x 60mm (H3: 3000mm)
L90	30,000 hours		L x 1.57" x 2.36" (H3: 118.11")

Model	Power W	Lumens		Weight	* L, Length
		3000K	4000K	kg [lbs]	mm [inch]
01121260	30	2,100	2,400	2.0 [4.40]	1233 [48.54]
01121860	45	3,150	3,600	2.6 [5.72]	1833 [72.17]

* Custom lengths are available on request

Ordering Details

Model	Type	Size	Finish	CCT	Dimming
01 - Shift	12 - Single Up & Down	1260 - L: 1233mm [48.54"] H: 60mm [2.36"]	1 - Silver	2 - 3000K	0 - Non-dimmable 1 - 1-10V Dimmable + Switch DIM 2 - DALI Dimmable
		1860 - L: 1833mm [72.17"] H: 60mm [2.36"]	2 - White 3 - Black	4 - 4000K	