

# SHIFT SQUARE

## Application

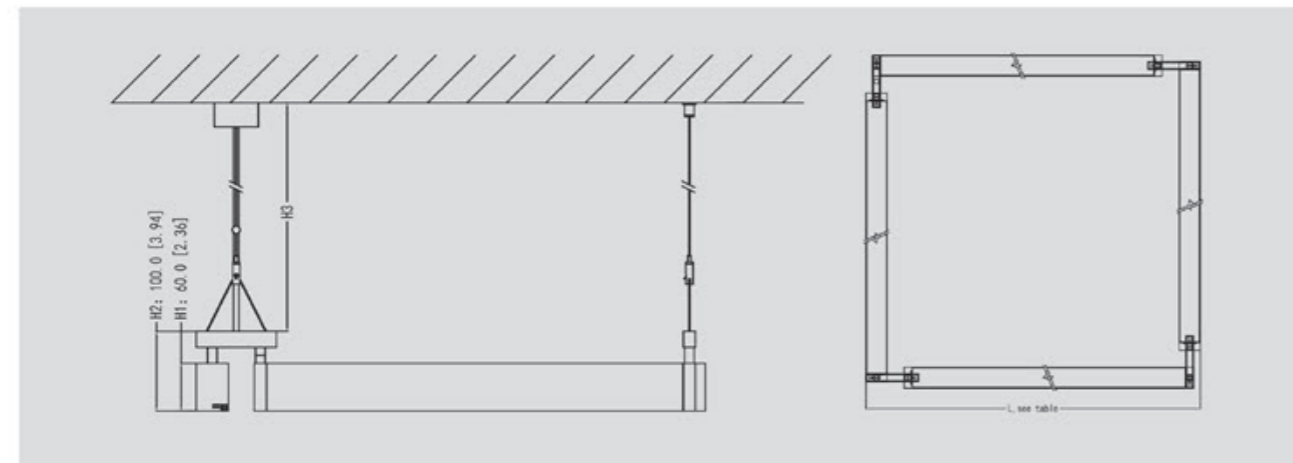
Beautiful, slim LED luminaire that comes in many forms. Offered in a pendant, ceiling or wall luminaire. Housed in Aluminum with a matte anodized finish featuring the best in LED optic design. Shift is extremely versatile and it's timeless design lends itself to a variety of applications: residential, commercial and healthcare.

## Product Description

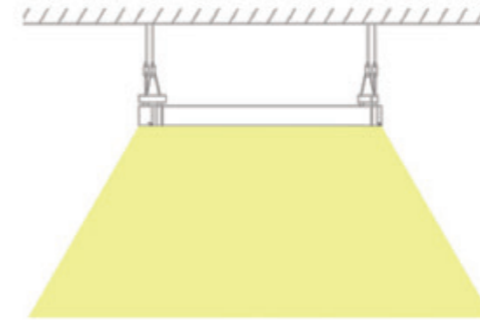
- Wire Suspended LED Pendant Luminaire
- Elegant and slim shape
- Aluminum Housing
- Replacable LED module
- Optical prism high transmittance PMMA diffusor
- 5 year warranty



## Dimensions



Dimension in millimetres [inches in brackets]  
Tolerance: ±1mm [0.04"]



## Technical Data

Model	Shift Square	L70	60,000 hours
Light Source	SMD LED	IP Rating	IP20
Rated Life	50,000 Hours	Beam Angle	120°
Input Voltage / Power	120 - 240V AC / 60 - 120W	Dimming	1-10V, Switch and DALI available
Power Factor	0.90	Operating Temperature	-4°F to +122°F (-20°C to +50°C)
CRI / SDCM	90+ / 3-	Dimensions	L x 40mm x 100mm ( H3: 3000mm)
L90	30,000 hours		L x 1.57" x 3.94" (H3: 118.11")

Model	Wattage	Lumens		Weight kg [lbs]	* L, Length mm [inch]
		3000K	4000K		
01106010	4 x 15W	4,200	4,800	5.6 [12.3]	723 [28.46]
01109010	4 x 20W	5,600	6,400	6.8 [15.0]	1023 [40.28]
01101210	4 x 25W	7,000	8,000	8.0 [17.6]	1323 [52.09]
01101510	4 x 30W	8,400	9,600	9.2 [20.2]	1623 [63.90]

\* Custom lengths are available on request

## Ordering Details

Model	Type	Size	Finish	CCT	Dimming
01 - Shift	10 - Square	<b>6010 -</b> L: 723mm [28.46"] H: 100mm [3.94"]  <b>9010 -</b> L: 1023mm [40.28"] H: 100mm [3.94"]  <b>1210 -</b> L: 1323mm [52.09"] H: 100mm [3.94"]  <b>1510 -</b> L: 1623mm [63.90"] H: 100mm [3.94"]	<b>1 - Silver</b>  <b>2 - White</b>  <b>3 - Black</b>	<b>2 - 3000K</b>  <b>4 - 4000K</b>	<b>0 - Non-dimmable</b>  <b>1 - 1-10V Dimmable</b> + Switch DIM  <b>2 - DALI Dimmable</b>