

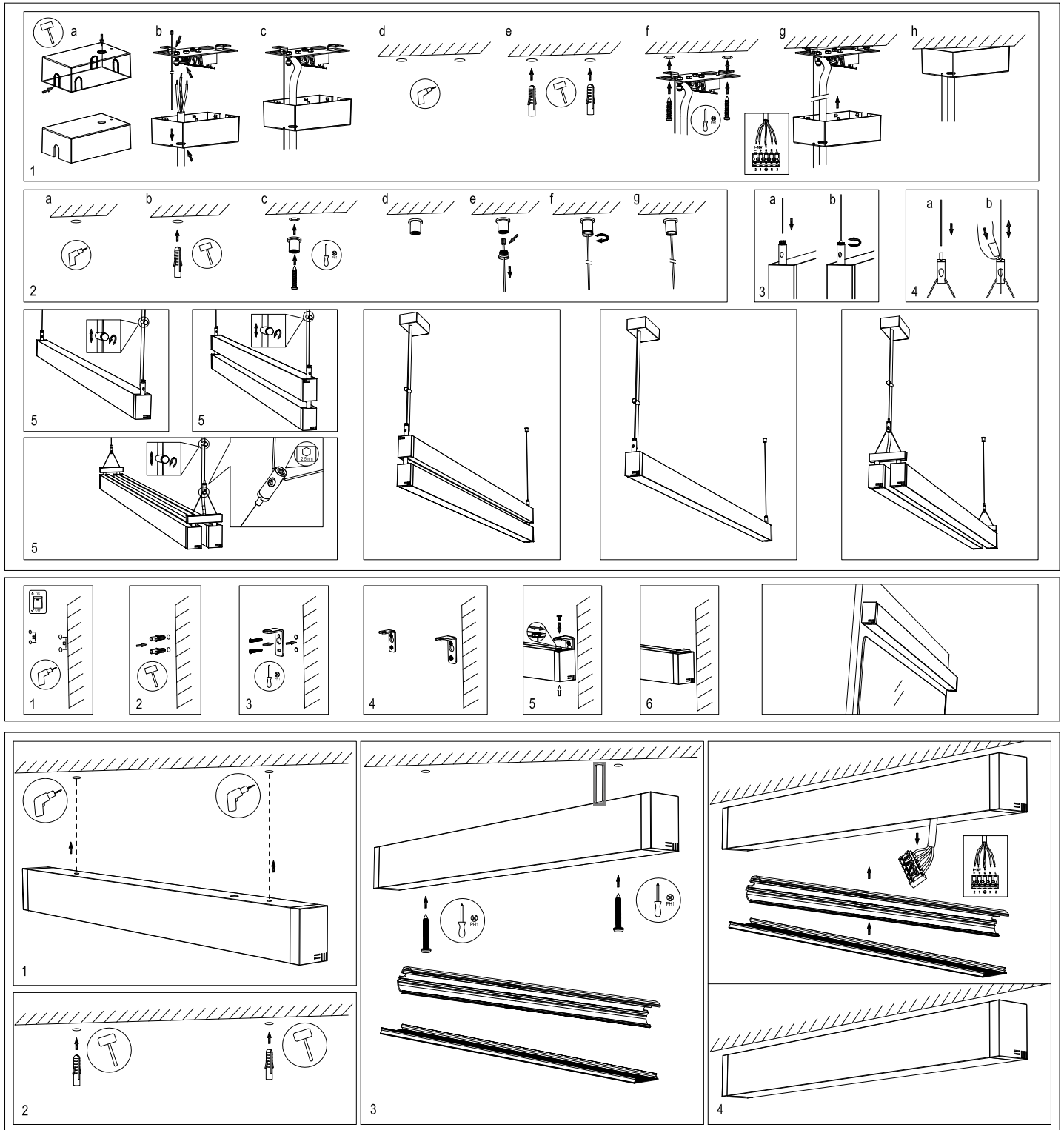
# SHIFT PENDANT & SURFACE MOUNTING

**Installation instructions**

- Must be installed by qualified electrician.
- Make sure that the marking is consistent with the applied voltage.
- Disconnect the circuit breaker before mounting.

**Installationsanleitung**

- Installation nur durch qualifizierte Fachleute.
- Stellen Sie sicher, dass die Leuchte für die verwendete Spannung zugelassen ist.
- Unterbrechen Sie die Stromversorgung bevor Sie die Leuchte anschließen.



**Data / Daten**

Type	Single				Up and down				Side by side			
	15W	20W	25W	30W	2 x 15W	2 x 20W	2 x 25W	2 x 30W	2 x 15W	2 x 20W	2 x 25W	2 x 30W
kg [lbs]	1.4 [3.1]	1.7 [3.7]	2.0 [4.4]	2.3 [5.1]	2.8 [6.2]	3.4 [7.5]	4.0 [8.8]	4.6 [10.1]	2.8 [6.2]	3.4 [7.5]	4.0 [8.8]	4.6 [10.1]
Lmm [inch]	633 [24.92]	933 [36.73]	1233 [48.54]	1533 [60.35]	633 [24.92]	933 [36.73]	1233 [48.54]	1533 [60.35]	633 [24.92]	933 [36.73]	1233 [48.54]	1533 [60.35]
Hmm [inch]	60 [2.36]	60 [2.36]	60 [2.36]	60 [2.36]	140 [5.51]	140 [5.51]	140 [5.51]	140 [5.51]	100 [3.94]	100 [3.94]	100 [3.94]	100 [3.94]
Wmm [inch]	40 [1.57]	40 [1.57]	40 [1.57]	40 [1.57]	40 [1.57]	40 [1.57]	40 [1.57]	40 [1.57]	100 [3.94]	100 [3.94]	100 [3.94]	100 [3.94]

Dimensions Tolerance +/-1mm (0.04")



- Voltage 120V, Max Power 1200W.
  - Voltage 230V, Max Power 2200W.
- $$n = \frac{\text{Max (Linkable) Power (W)}}{\text{Single Lamp Power (W)}}$$

